

Pearl

Pearl Rotary Joint

— Rotary Joint —

Accessory

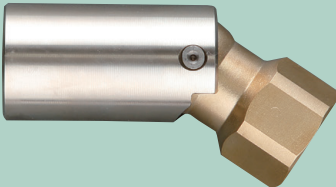
CATALOG

PEARL  JOINT
株式会社 昭和技研工業
SHOWA GIKEN INDUSTRIAL CO., LTD.

Siphon Pipe



Siphon Elbow



Flexible Metal Tube

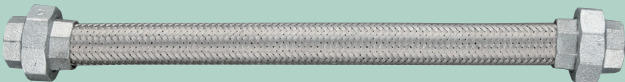


Table of Contents

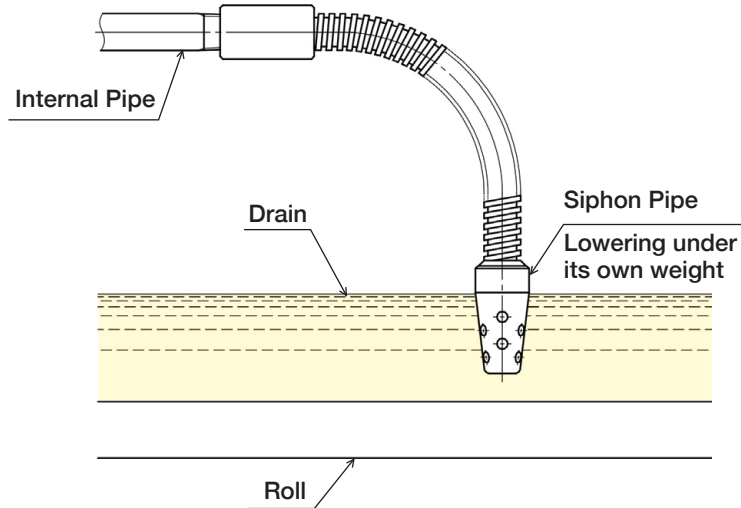
Siphon Pipe	P2
Siphon Elbow.....	P3
Flexible Metal Tube	P4
Product Warranty	P5

- Note 1) Siphon pipes and siphon elbows are covered by our product warranty provision.
- 2) Flexible metal tubes are produced by another manufacturer and delivered via our company. These tubes are covered by that manufacturer's product warranty provision. Our warranty provision does not cover them. Contact our sales representative for more information.

The contents are subject to change without notice.

Siphon Pipe

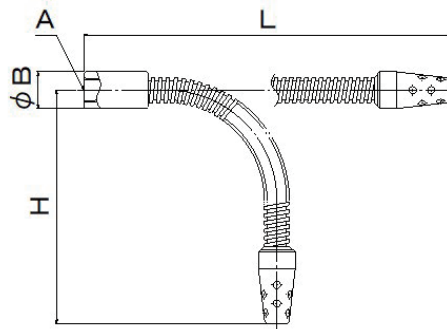
Application) Used for collecting drain from a roll. Installed at the tip of an internal pipe.
 Suitable for rolls with an inner diameter of 500 mm or less.



- Order)**
- ① When newly ordering our products
 Please provide information on sag height H (or the roll inner diameter), size, and the direction of thread A. We determine overall length L.
 - ② When ordering our siphon pipe you are currently using
 Please provide information on sag height H or overall length L, size, and the direction of thread A.

Size	A	B
6A	Rc1/8	16
8A	Rc1/4	20
10A	Rc3/8	25
15A	Rc1/2	32
20A	Rc3/4	40
25A	Rc1	45

(mm)

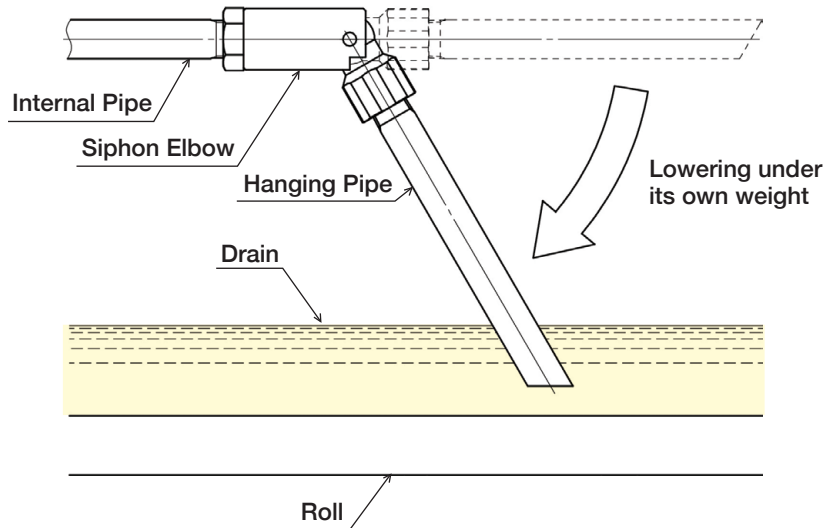


Precautions on Selection

To prevent the siphon pipe from falling out of the internal pipe and into the roll due to loosening of the screw A, the thread direction of the screw A must be "left-hand thread when the direction of rotation of the roll is clockwise" or "right-hand thread when it is counterclockwise" as viewed from the side from which the product is installed.

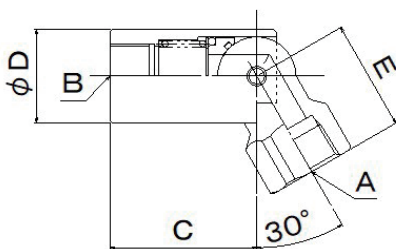
Siphon Elbow

Application) Used for collecting drain from a roll. Install this at the tip of an internal pipe with a supplied lock nut, and then connect a hanging pipe to thread A. Suitable for rolls with an inner diameter of 500 mm or more.

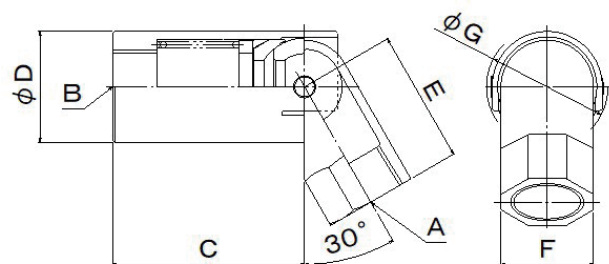


Order) Please provide size information.

Size	A	B	Dimensions (mm)					Masses (kg)
			C	D	E	F	G	
10A	Rc3/8	G3/8	47	27	35	26	-	0.5
15A	Rc1/2	G1/2	55	32	40	29	-	0.5
20A	Rc3/4	G3/4	60	38	45	35	-	0.8
25A	Rc1	G1	87	50	60	42	55	1.0
32A	Rc1¼	G1¼	95	62	70	52	64	1.8
40A	Rc1½	G1½	105	70	80	60	73	2.3



10A~20A



25A~40A

● Precautions on Selection

Determine the length of the hanging pipe to be installed to thread A by considering the internal pipe deflection. If the hanging pipe is inappropriately long, the hanging pipe may contact the roll, resulting in abnormal noise, product damage, injury to workers, or damage to surrounding equipment. If the hanging pipe is inappropriately short, it may not be as effective as expected in collecting drain in the roll.

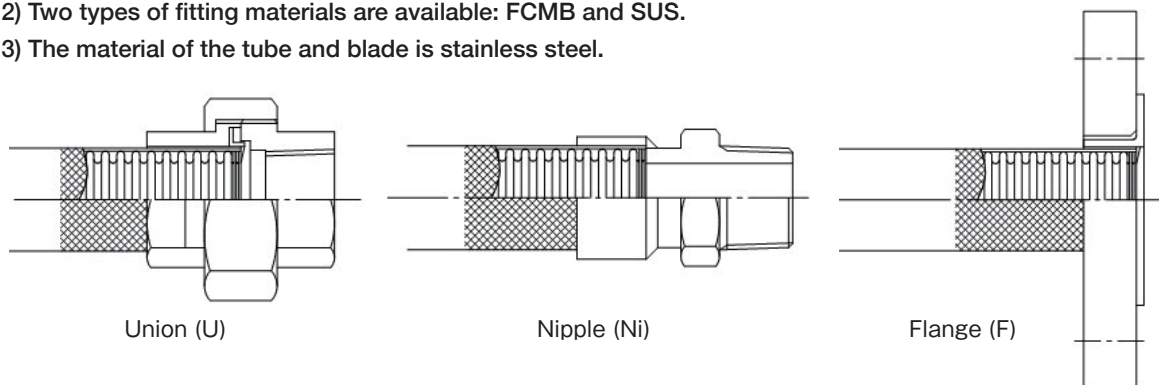
Flexible Metal Tube

Application) Used for connection between a rotary joint and a stationary pipe.

Order) Please provide information on the fluid, temperature, pressure, size, length, fitting shapes on both sides, and material.

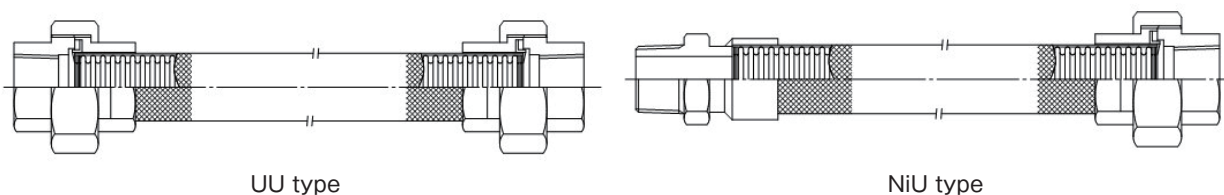
Fitting Shapes and Materials

- 1) Three types of fitting shapes are available: union (U), nipple (Ni), or flange (F).
- 2) Two types of fitting materials are available: FCMB and SUS.
- 3) The material of the tube and blade is stainless steel.



Combination Example

In addition to the UU or NiU type, the FU, FF, or NiF type is available.



Precautions for Selection and Use

- 1) Union (U) and nipple (Ni) have a taper pipe thread (JIS B 0203).
- 2) Flanges (F) that conform to JIS, ANSI, or JPI standards, etc. are available.
- 3) Select the tube length with reference to Table 1.
- 4) When installing a flexible metal tube, slightly bend it in the rotation direction of roll.
Furthermore, carry out pipe laying work so that excessive “tension”, “compression”, “torsion”, or “bending” is not caused. See the rotary joint instruction manual for more information.
- 5) Bend the tube so that the bending radius is not less than the smallest bending radius shown in Table 2.
- 6) As a flexible metal tube is a metal, it may suffer from metal fatigue. Replace it periodically.

If you have any questions, contact our sales representative.

Table 1 Flexible Metal Tube Length

(mm)

Size	8A~20A	25A	32A/40A	50A	65A	80A
Length	300~400	400~500	600~800	900~1000	1200~1300	1500~1600

Table 2 Smallest Bending Radius

(mm)

Size	8A	10A	15A	20A	25A	32A	40A	50A	65A	80A
Smallest Bending Radius	130	150	200	280	300	350	450	500	550	600

Product Warranty

If a malfunction occurs during the warranty period, contact us or the distributor and send the product to us. Be sure to carefully pack the product for protection before sending it. After receiving the product, we will confirm the malfunction. If the malfunction was clearly caused by the materials of product components or the manufacturing method, we will repair the product in question or replace it with a new one free of charge.

Product Warranty Provision

1. Warranty Period

< New products >

One (1) year and six (6) months after shipment (from the manufacturing date) or one (1) year after installation, whichever comes first.

< Repaired products >

Six (6) months after shipment (from the manufacturing date).

2. We charge a fee for repairs in any of the following cases.

- ① Failure after the warranty period has expired
- ② Failure caused by use of the product deviating from the service conditions
- ③ Failure caused by misuse (improper storage, installation, pipe laying, operation or maintenance, etc.)
- ④ Failure caused by fluid contaminants or foreign objects in the fluid
- ⑤ Failure caused by relocation, transport, or falling of the product after delivery
- ⑥ Failure caused by disassembly, repair, or modification done by personnel other than our service personnel
- ⑦ Failure of the product attributed to using materials or according to standards specified by the customer
- ⑧ Failure of the product attributed to using materials provided by the customer
- ⑨ Failure caused due to unavoidable acts of nature such as fires or other natural disasters

3. Scope of Responsibility

Our responsibility shall be limited to repairs, replacements, or transport expenses covered by this product warranty provision. Expenses or damages caused by said failures above shall not be covered.

4. Applicable Regions

This product warranty provision shall be applicable to products installed in Japan.
Contact our sales representative if you install and use our products outside Japan.

5. Another Agreement

If another product warranty agreement is made separately with us and clearly states that said agreement shall have priority over this product warranty provision, this provision shall not be applicable.

6. This product warranty provision shall not restrict the customer's legal rights.

PEARL  JOINT
株式会社 昭和技研工業
SHOWA GIKEN INDUSTRIAL CO., LTD.

URL <https://www.sgk-p.co.jp>



Export Department Phone : +81-3-3598-1400 Fax. : +81-3-3598-2700
E-mail : sgk-tk@sgk-p.co.jp

Headquarters 7-24, Nishi-Kobari, Ina-Machi, Saitama, 362-0811 Japan
Phone : +81-48-728-9460 Fax. : +81-48-728-9461

Tokyo Sales Office 2-64-11, Akabane, Kita-ku, Tokyo, 115-0045 Japan
Phone : +81-3-3598-1400 Fax. : +81-3-3598-2700

Osaka Sales Office 2-9-7, Toyosaki, Kita-ku, Osaka, 531-0072 Japan
Phone : +81-6-6371-8341 Fax. +81-6-6371-6283

Nagoya Sales Office 41-1, Higashi-Ozone-cho, Higashi-ku, Nagoya, 461-0022 Japan
Phone : +81-52-938-8825 Fax. : +81-52-938-6423